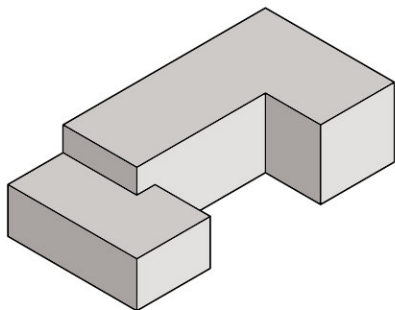


Human needs

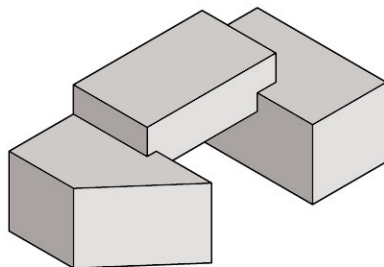
Physical and mental comfort

People's interactions

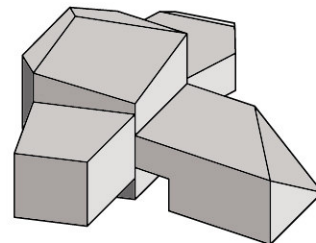
Functional building



S-01



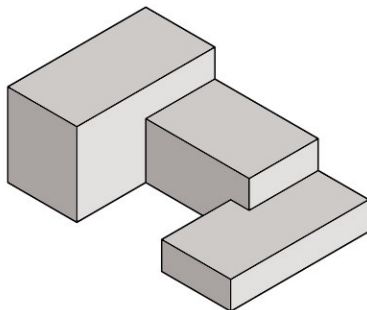
S-02



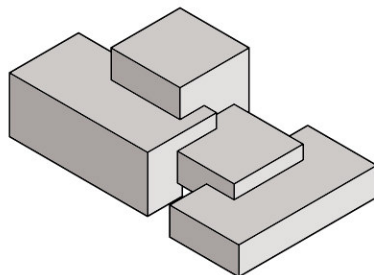
S-03

Common space

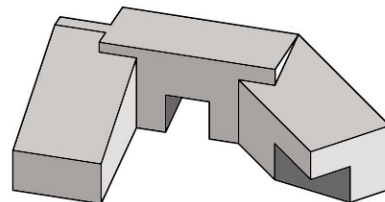
Beauty building



S-04



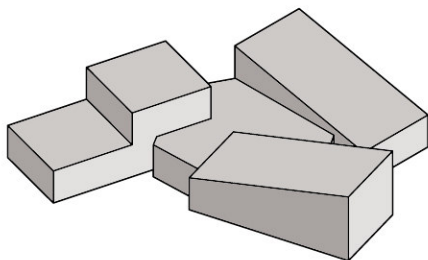
S-05



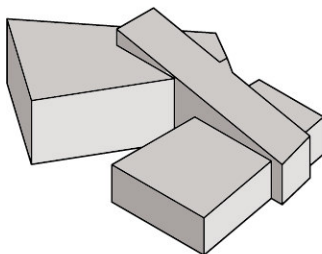
S-06

Friendly spaces

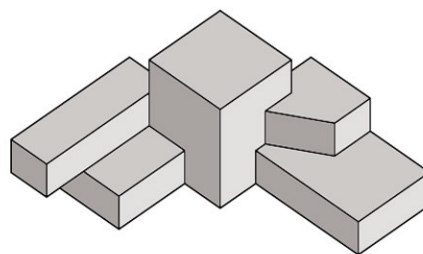
Genius loci



S-07



S-08



S-09

Energy efficiency

Hypotheses Aggregation Buildings